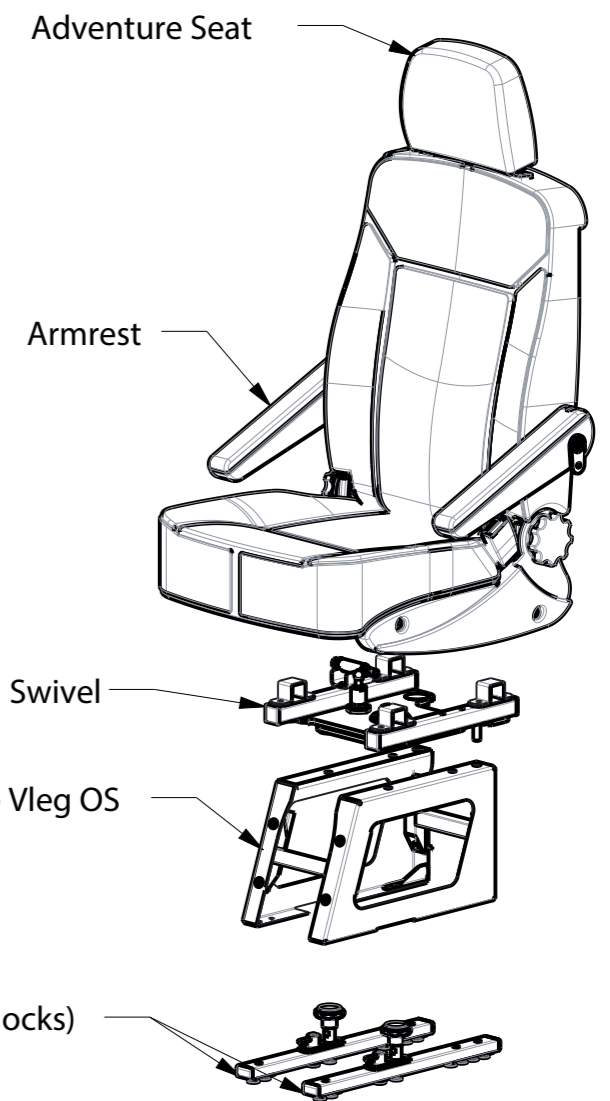
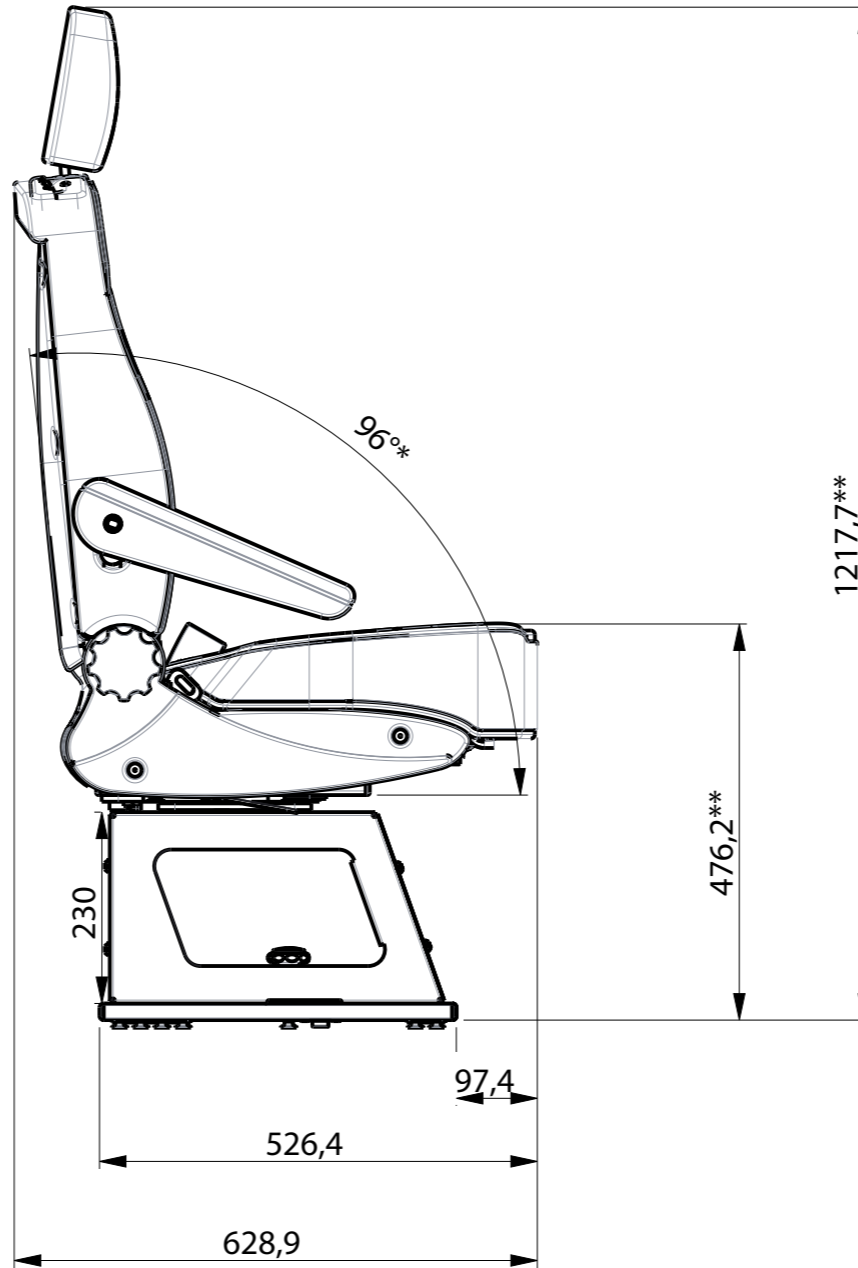


360° rotation
8 lockin positions - every 45°



Remarks:
* Adjustable backrest angle
** Depends on the height of Vleg OS