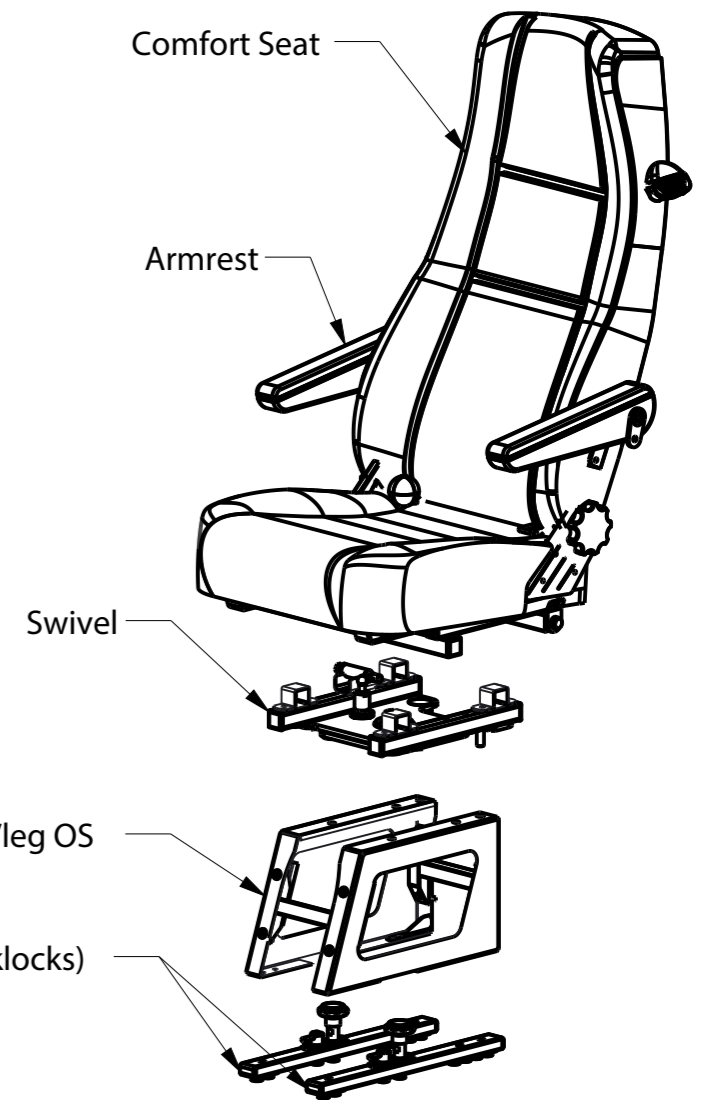
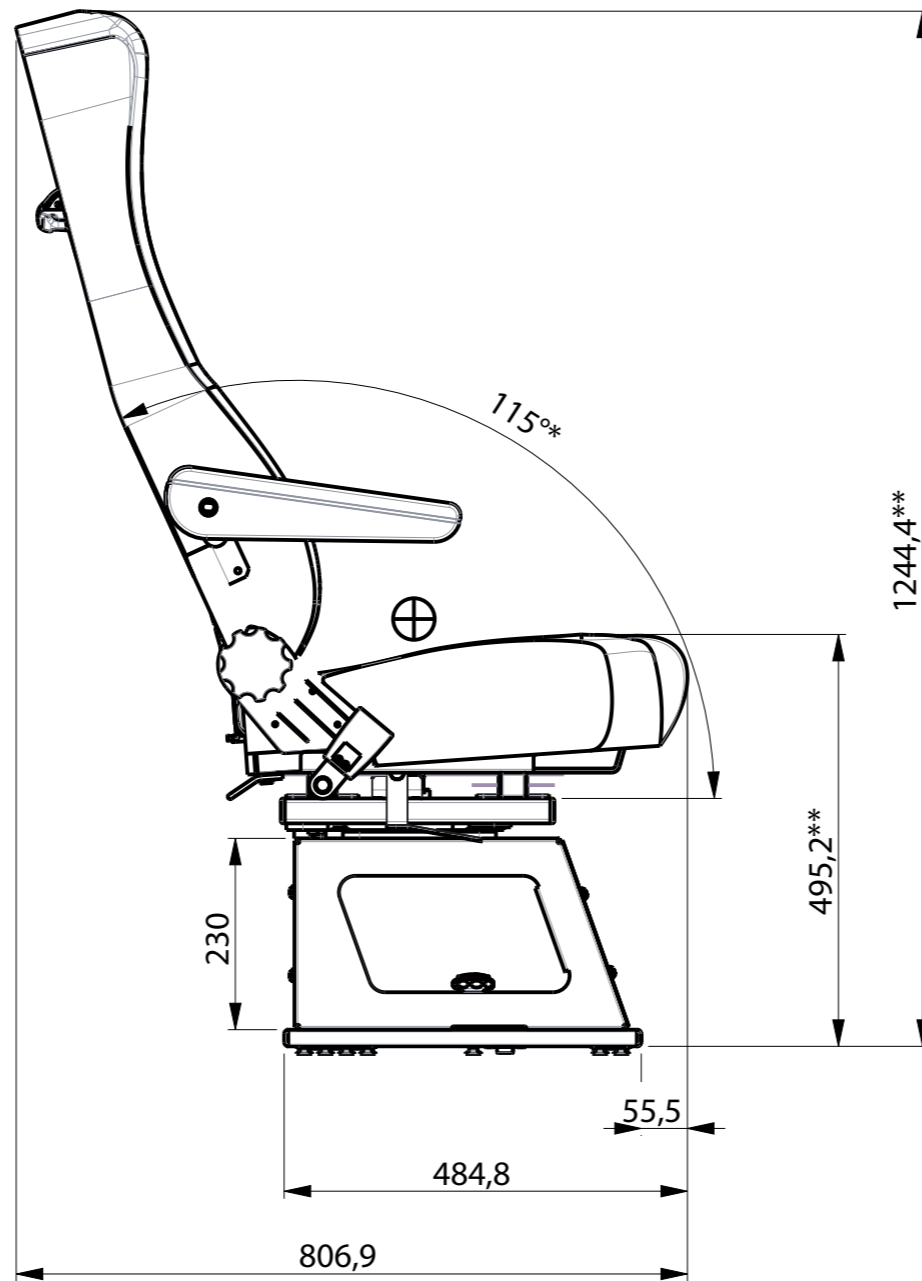


360° rotation
8 locking positions - every 45°



Remarks:

* Adjustable backrest angle

** Depends on the height of Vleg OS